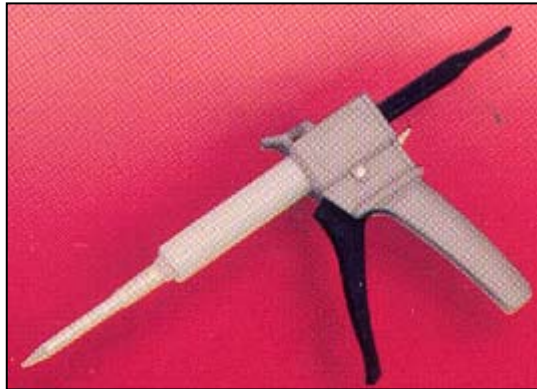


Available from **RELTEK**
50 ML & 200 ML Dispensing Systems
by ConProTech



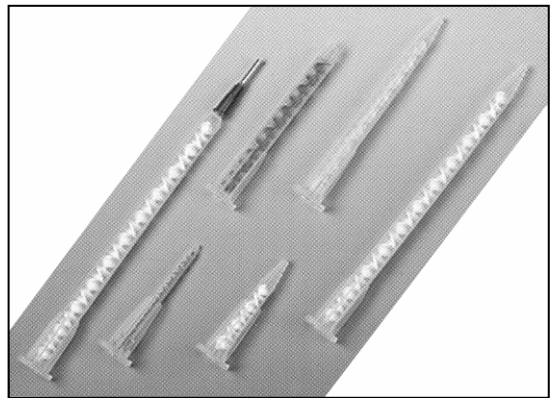
50 ML System



Pneumatic

Manual

200 ML System



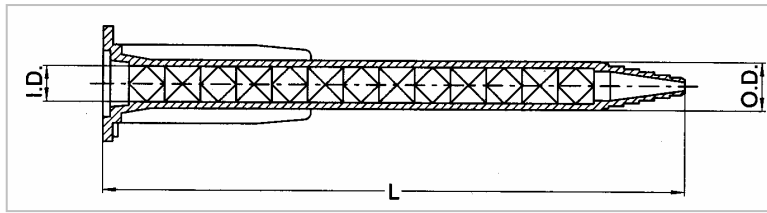
Static Mixer



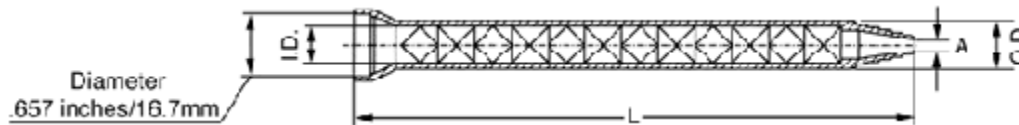
Luer
Lock
Adapters

Static Mixer Nozzle

For use with BONDiT B-4X and B-5X series epoxies

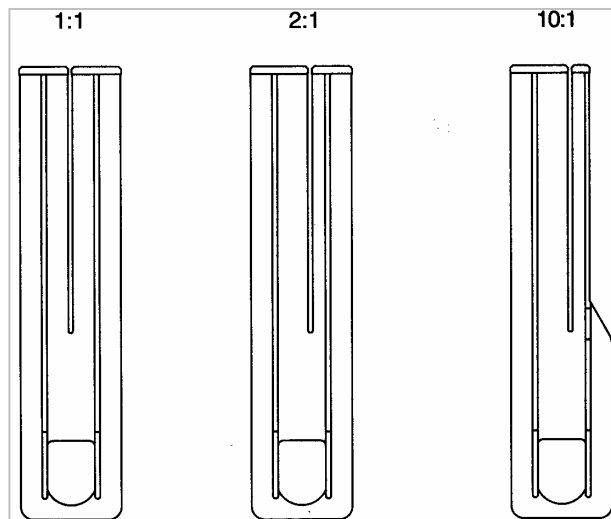


0.250" ID, 0.059" nozzle, 6.02" length, 21 elements, ~3.6 ml volume
For 50ml system ratios 1:1, 2:1, 10:1

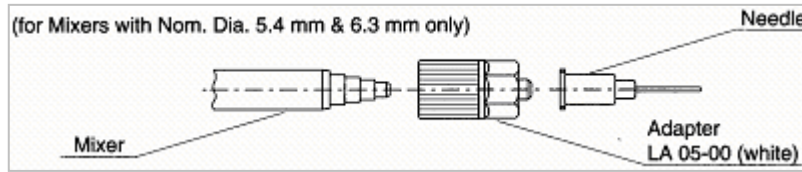


0.250" ID, 0.074" nozzle, 7.28" length, 24 elements, ~4.2 ml volume
For 200ml system ratios 1:1, 2:1, 10:1

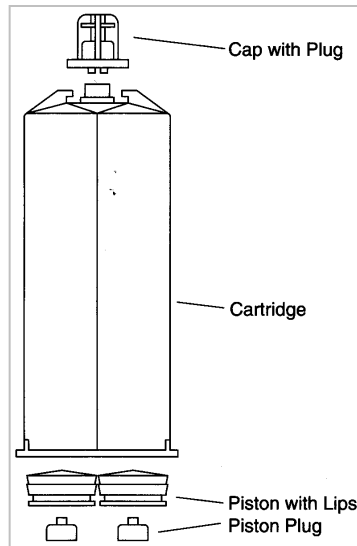
50 ML System Plungers



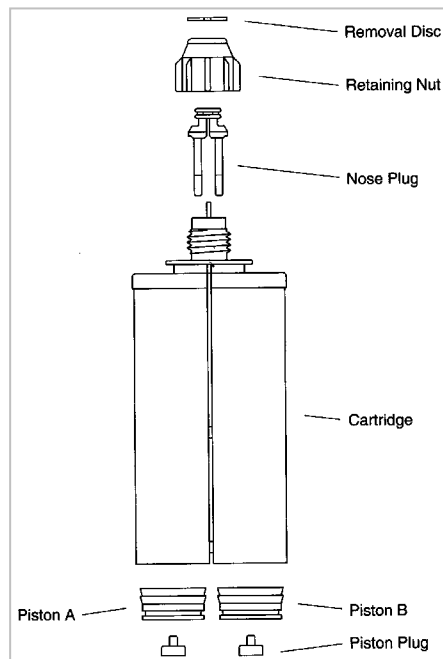
Luer Lock Adapter for use with syringe needles



Dual Cartridge 50 ml sizes of 1:1, 2:1, 10:1

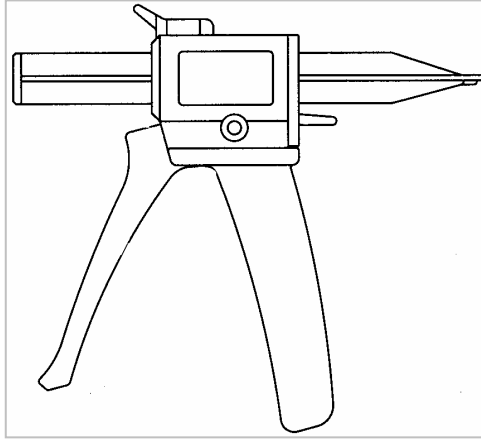


Dual Cartridge 200 ml sizes of 1:1, 2:1, 10:1

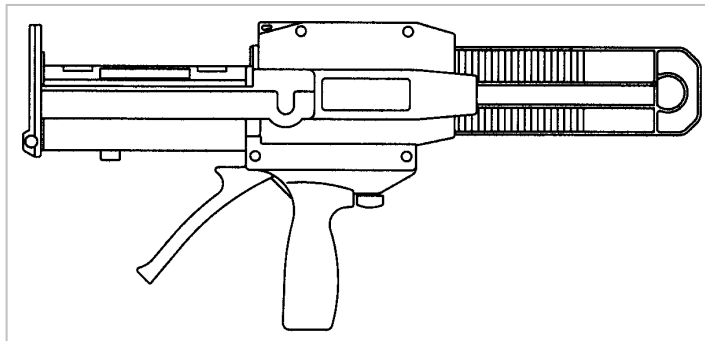


Hand Guns

50 ML Manual Gun



200 ML Manual Gun



200 ML Pneumatic Gun

